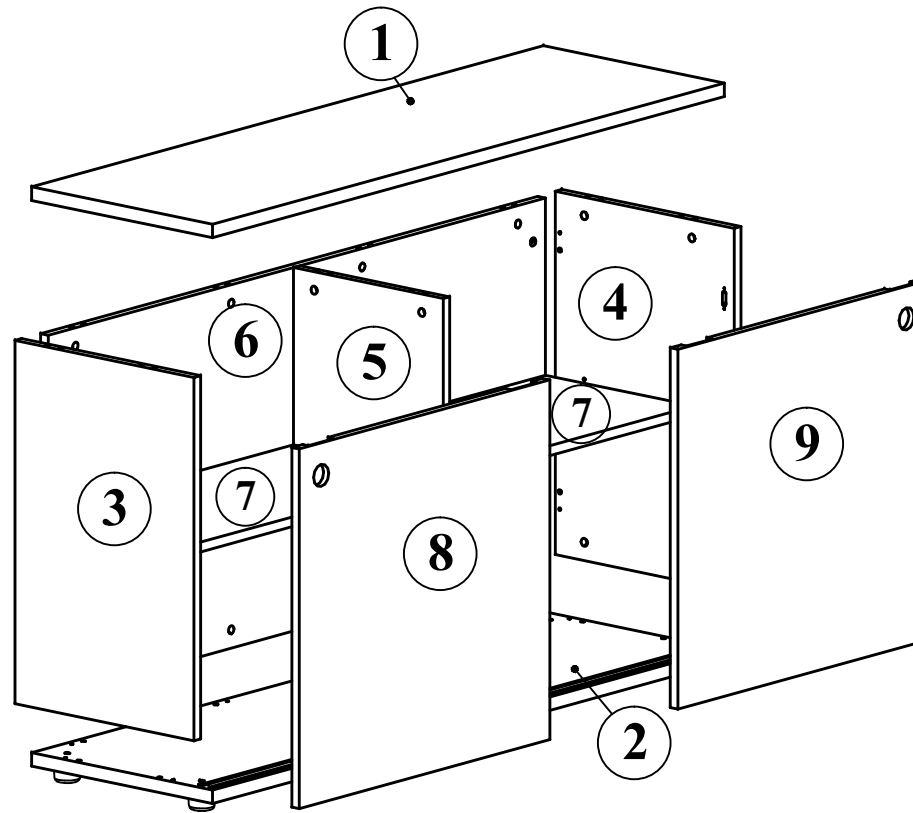



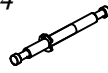




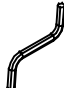
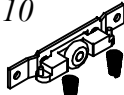




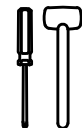
XLC 1443

1406x430x750



| | | | | | | | | | | | |
|---|---|---|--|---|---|----|--|----|---|----|---|
| 1 |  x24 | 2 |  x28 | 3 |  x32 | 4 |  x2 | 5 |  x28 | 6 |  x1 |
| 7 |  x1 | 8 |  x4 h-27 | 9 |  x1 | 10 |  x2 | 11 |  x16 | 12 |  3,5x16 x6 |

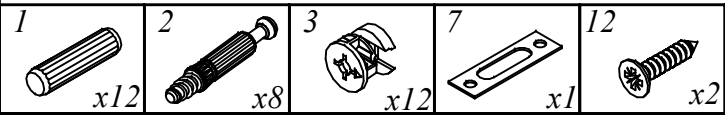
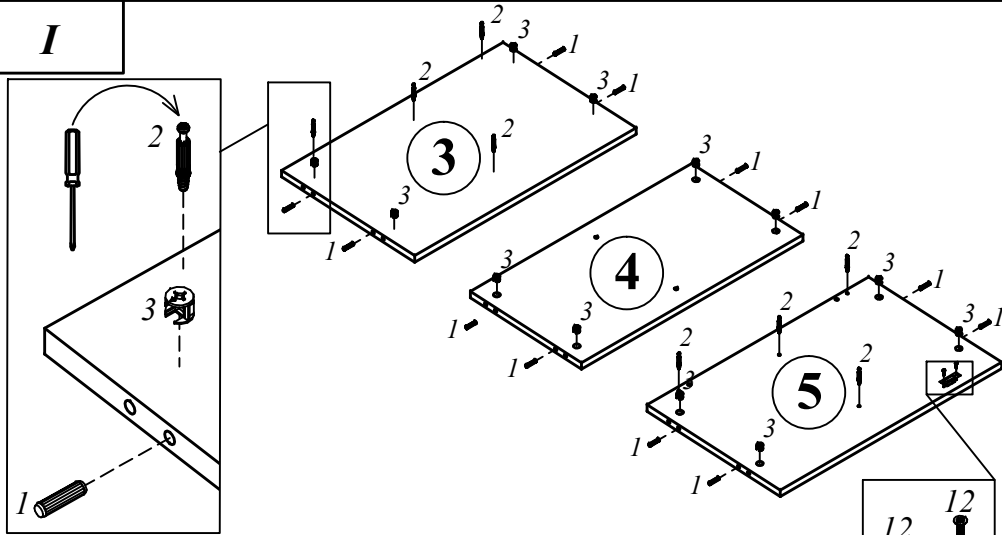
ERC



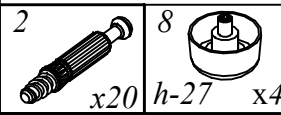
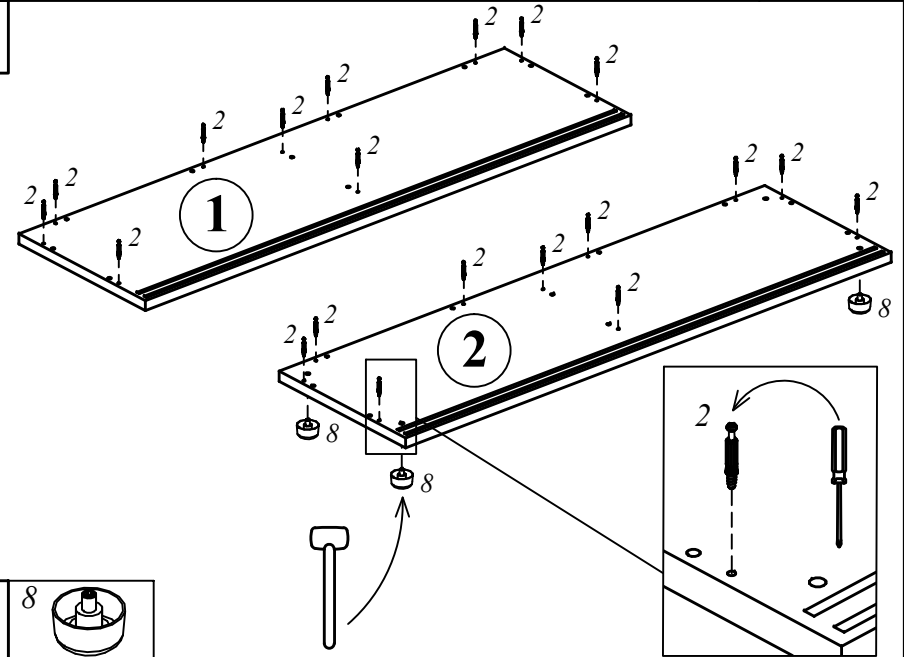
XLC 1443

2

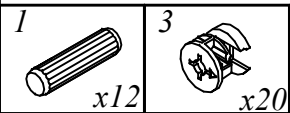
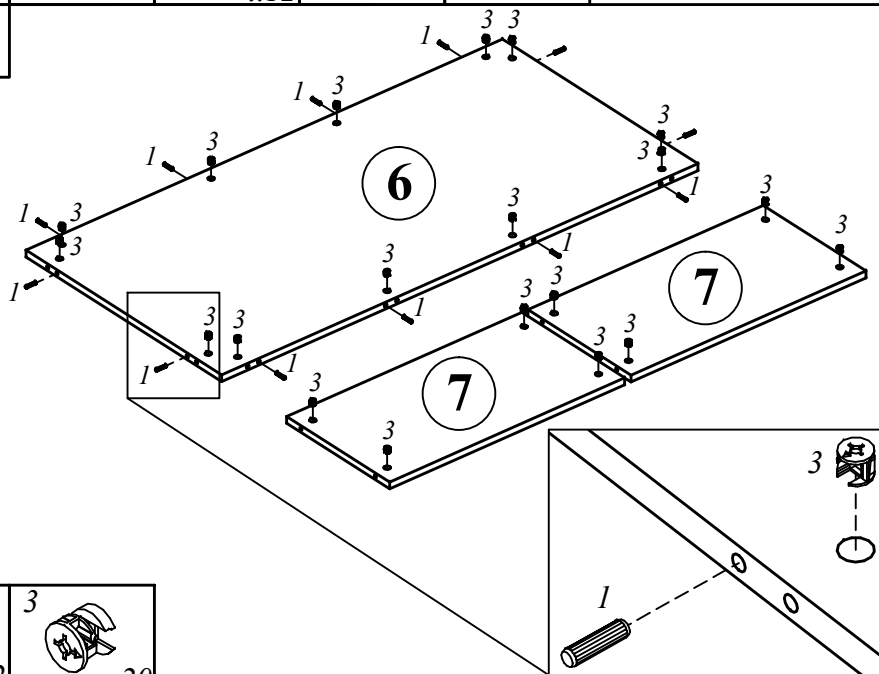
I



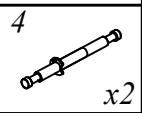
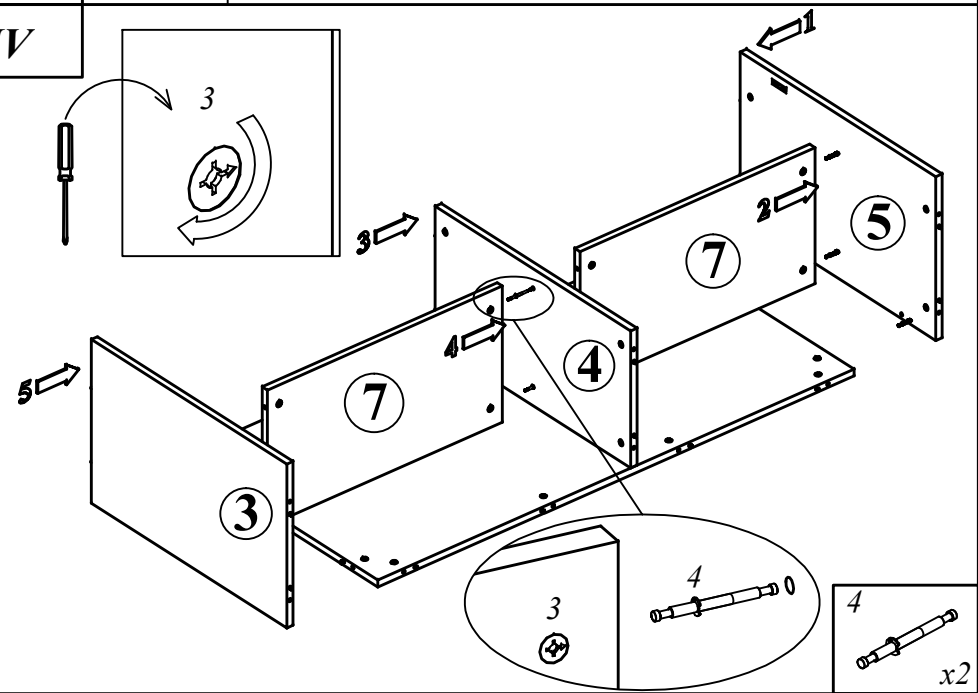
II



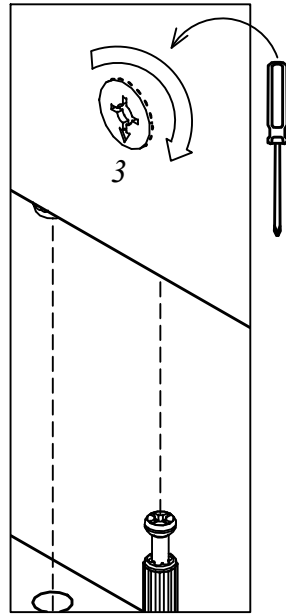
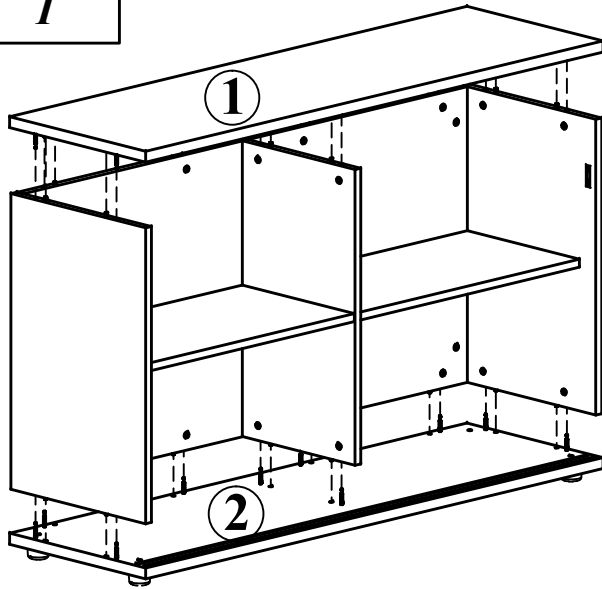
III



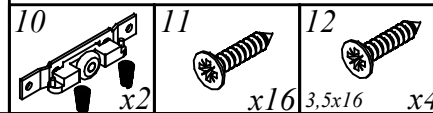
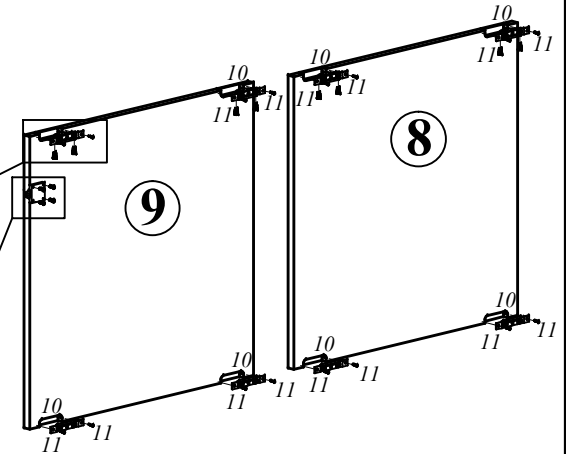
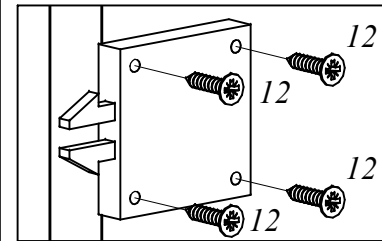
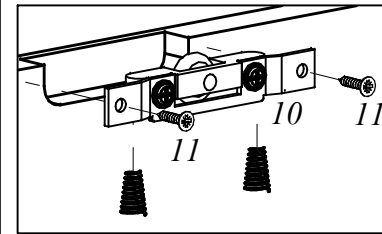
IV



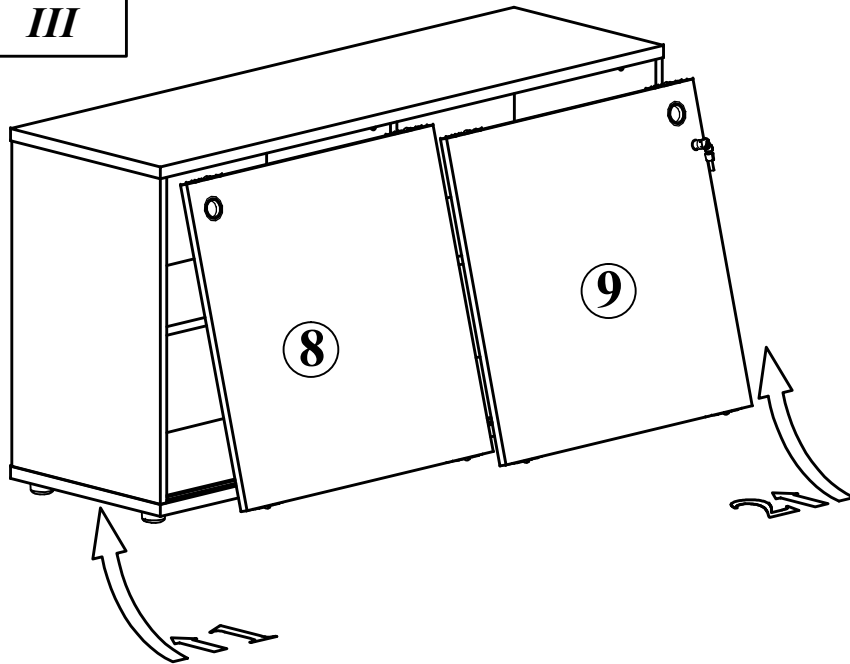
I



II



III



IV

