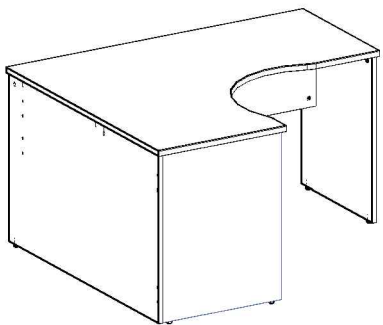
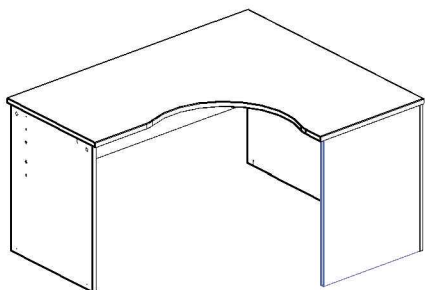


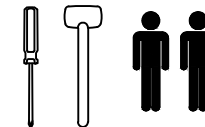
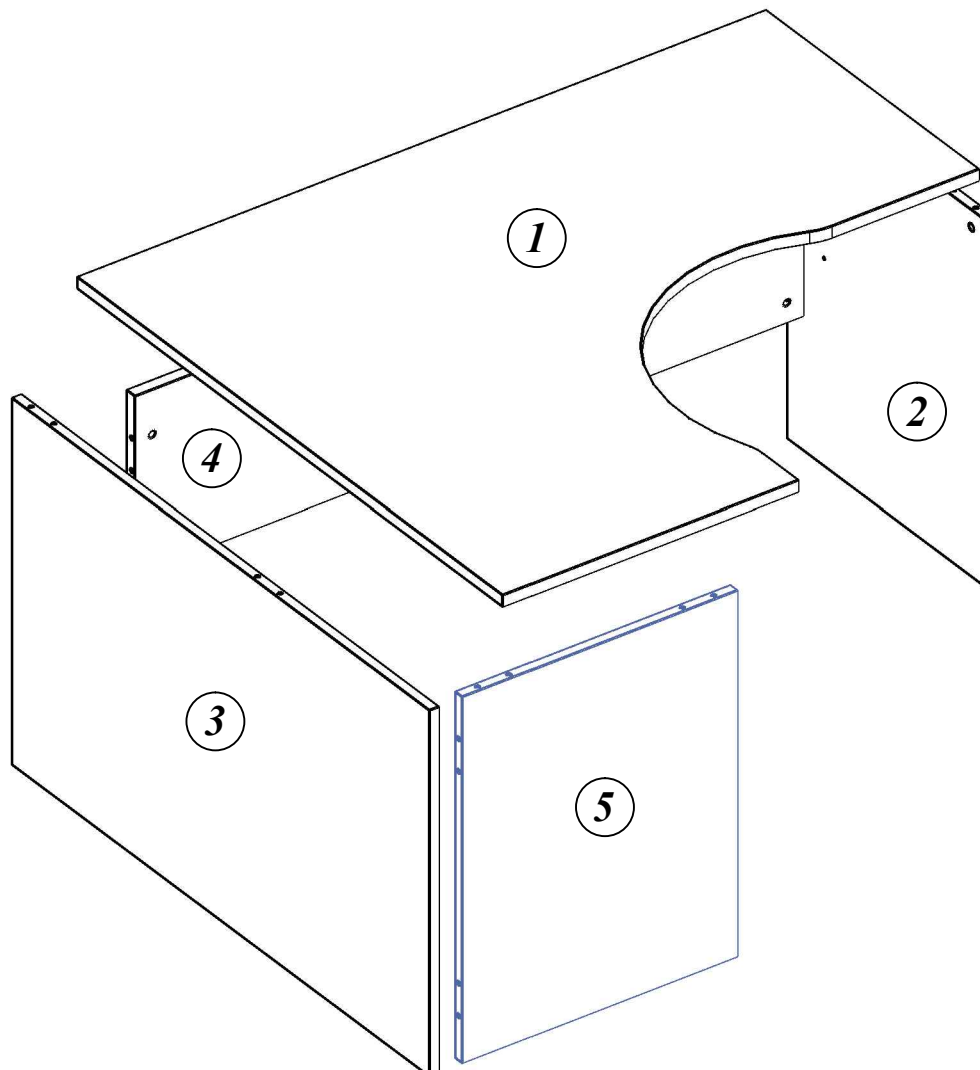
# CA-3 /L, CA-3 /R, CA-4 /L, CA-4 /R (SA-3 /L, SA-3 /R, SA-4 /L, SA-4 /R)









CA-3 /L (SA-3 /L) 1400x1200x755  
CA-4(L) (SA-4 /L) 1600x1200x755



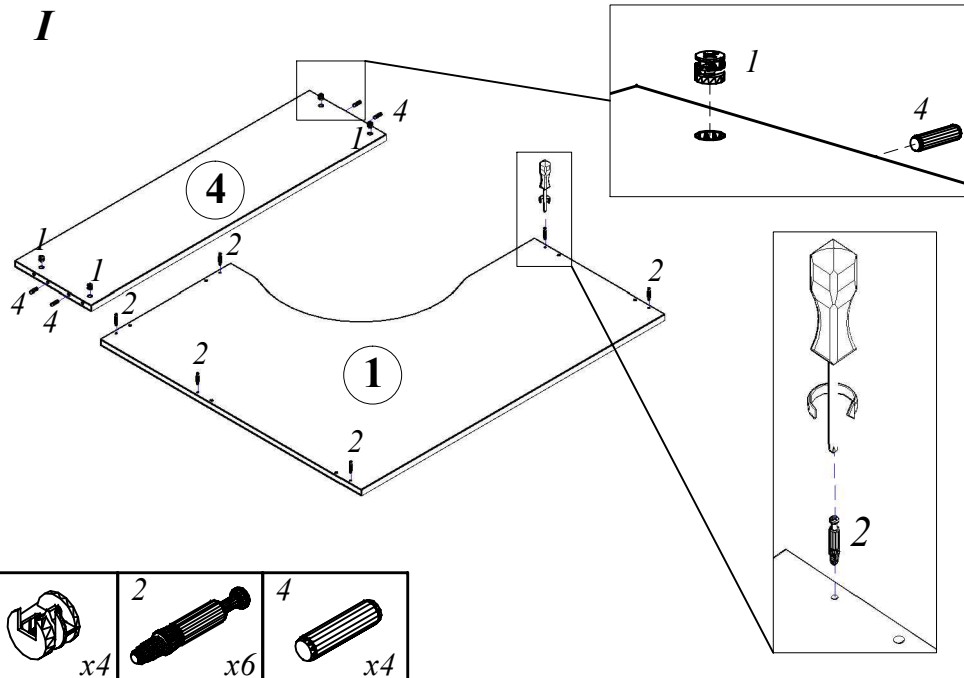
CA-3 /R (SA-3 /R) 1400x1200x755  
CA-4/R (SA-4 /R) 1600x1200x755



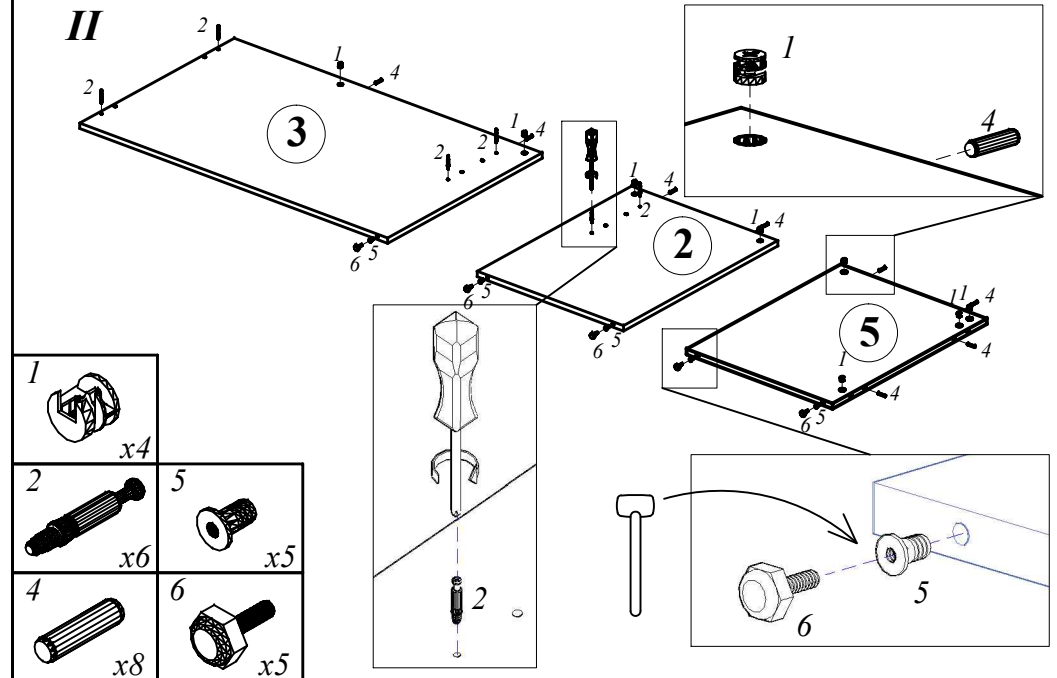
1		x12
2		x12
3		x12
4		x12
5		x5
6		x5

# CA-3, CA-4 (SA-3, SA-4)

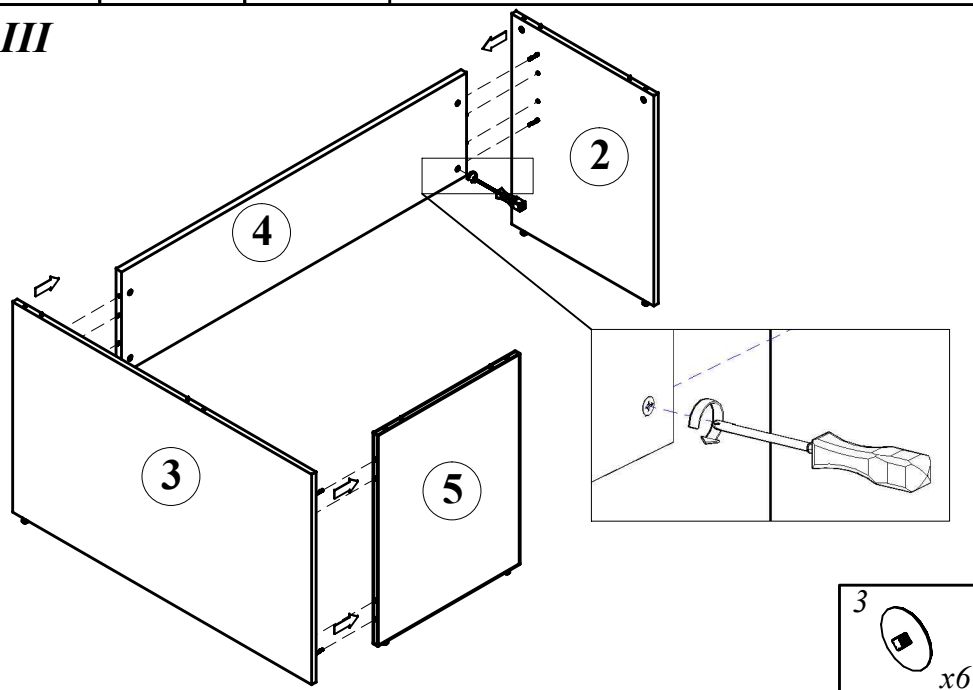
**I**



**II**



**III**



**IV**

