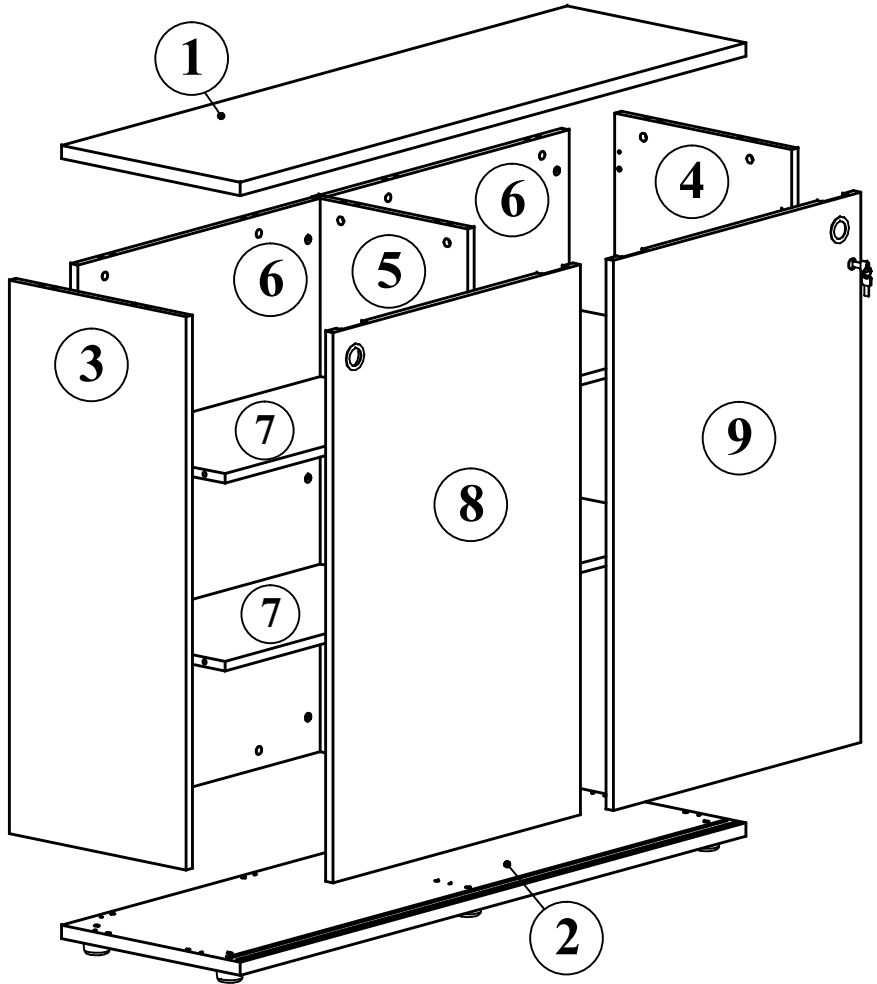
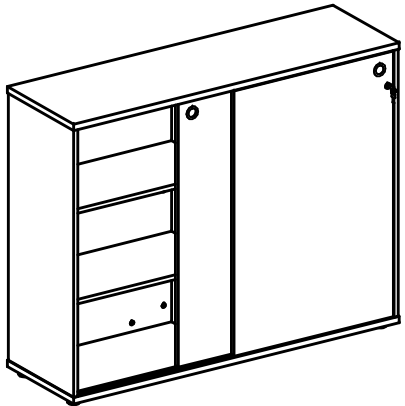
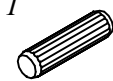




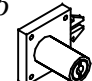
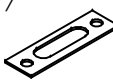


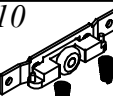




XMC 1443

1406x430x1115



1		x26	2		x34	3		x48	4		x7	5		x48	6		x1
7		x1	8		x6	9		x1	10		x2	11		x16	12		x6
			h-27										3,5x16				

ERC



XMC 1443

I

1 x12, 2 x14, 3 x12, 7 x1, 12 x2

II

2 x20, 8 h-27 x6

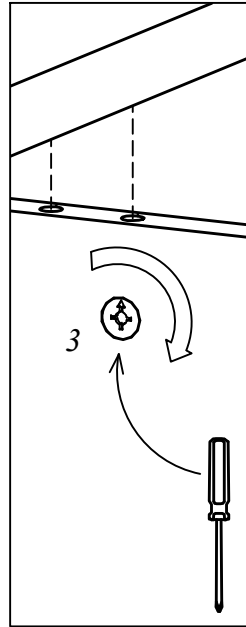
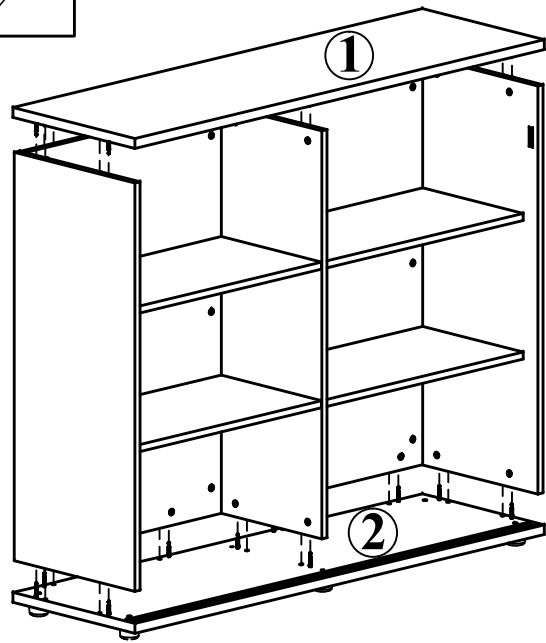
III

1 x14, 3 x36

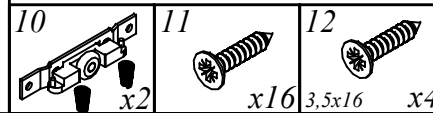
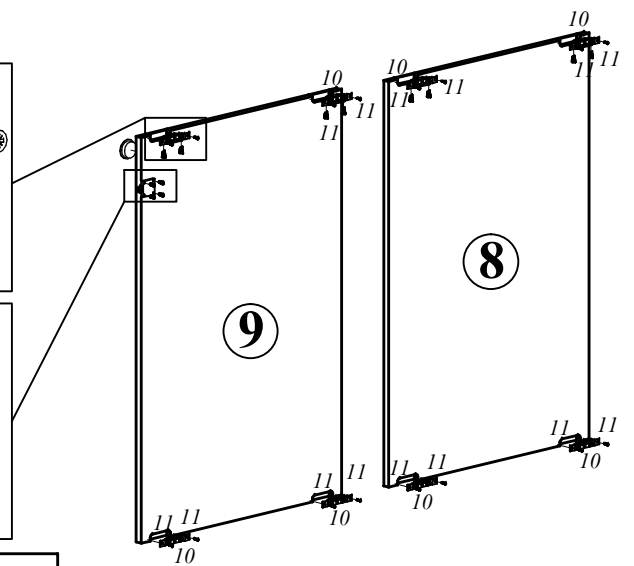
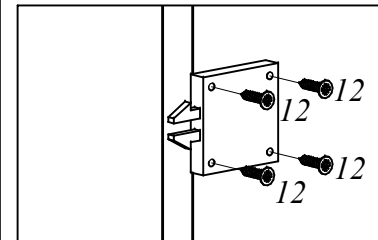
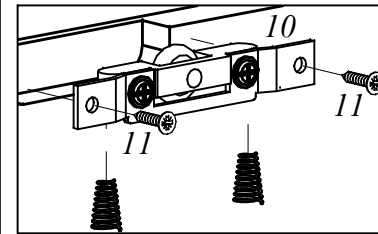
IV

4 x2

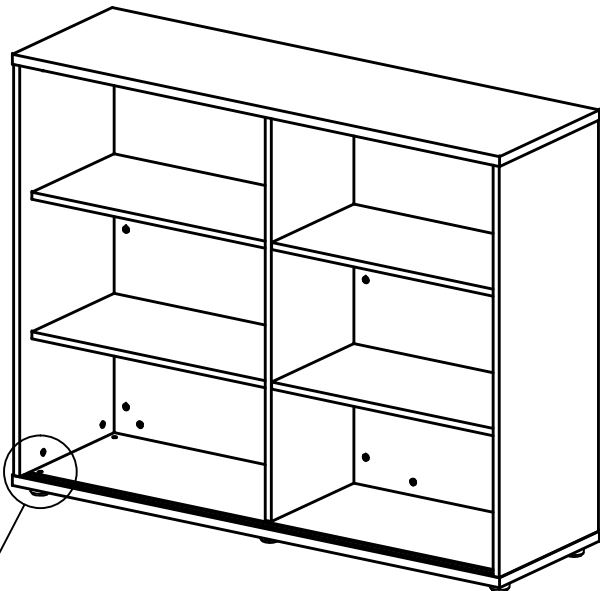
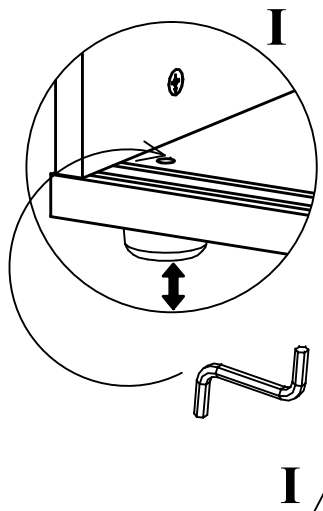
V



VI



VII



VIII

